

# dannozzle®

## POWER PIPE CLEANER

571013880775  
10100210

Power Pipe Cleaner for pipes ranging from 1m to 3m in diameter. The Power Pipe Cleaner is made from acid resistant stainless steel profiles, which can be adjusted as needed. The Power Pipe Cleaner has 1 'tandhjulsdyse' (a nozzle using mechanical gears) with 4 'turbojetdyser' as standard. The 'turbojetdyser' can be switched to 'dysedorne', thereby achieving cleaning of pipes up to 3m in diameter. Furthermore the Power Pipe Cleaner can be used in narrow bottomed pipes, for cleaning out sand with the blue angle adjustable nozzle block (adjustable from 0 to 25 degrees). The nozzle block can be used on its own or along with the 'tandhjulsdyse'.

The Power Pipe Cleaner comes equipped with two 250 BAR 3/8" quick release connections, allowing for fast and efficient assembling and disassembling of the Power Pipe Cleaner. This helps to ease access to pipes with small entrances.

The hose is mounted on a stainless steel swivel.

The 'tandhjulsdyse' operates at a water flow of up to 60 l/min and the nozzle block at up to 400 l/min.

In its standard setup the Power Pipe Clean is delivered with:

5710138130818 – 4x 0.5" Turbojetdyse.

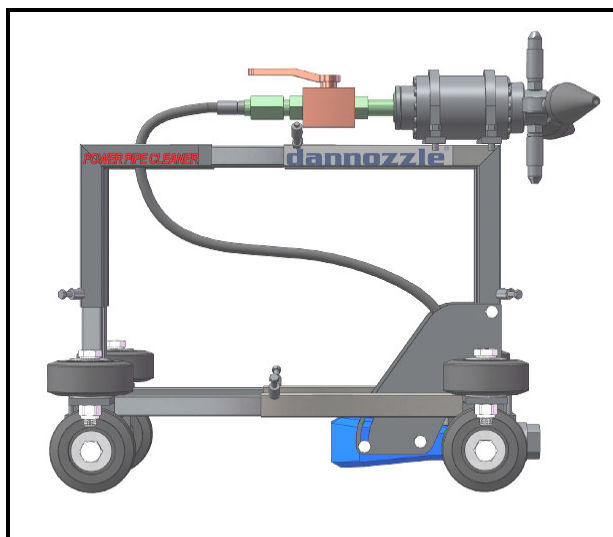
8x M10 ceramic nozzle inserts (mounted in the angle adjustable blue nozzle block).

8x rubber wheels (125x50mm) with stainless steel mountings.

EAN Nr.	Weight	Height	Width	Length	RPM	Connection	Max pressure
5710138600007	56kg	75 to 100cm	63 to 120cm	70 to 110cm	30 to 60	1/2" to 1"	200 BAR

The Power Pipe Cleaner can be delivered with bigger wheels if needed.

The angles of the nozzles on the 'tandhjulsdyse' can be modified if needed.

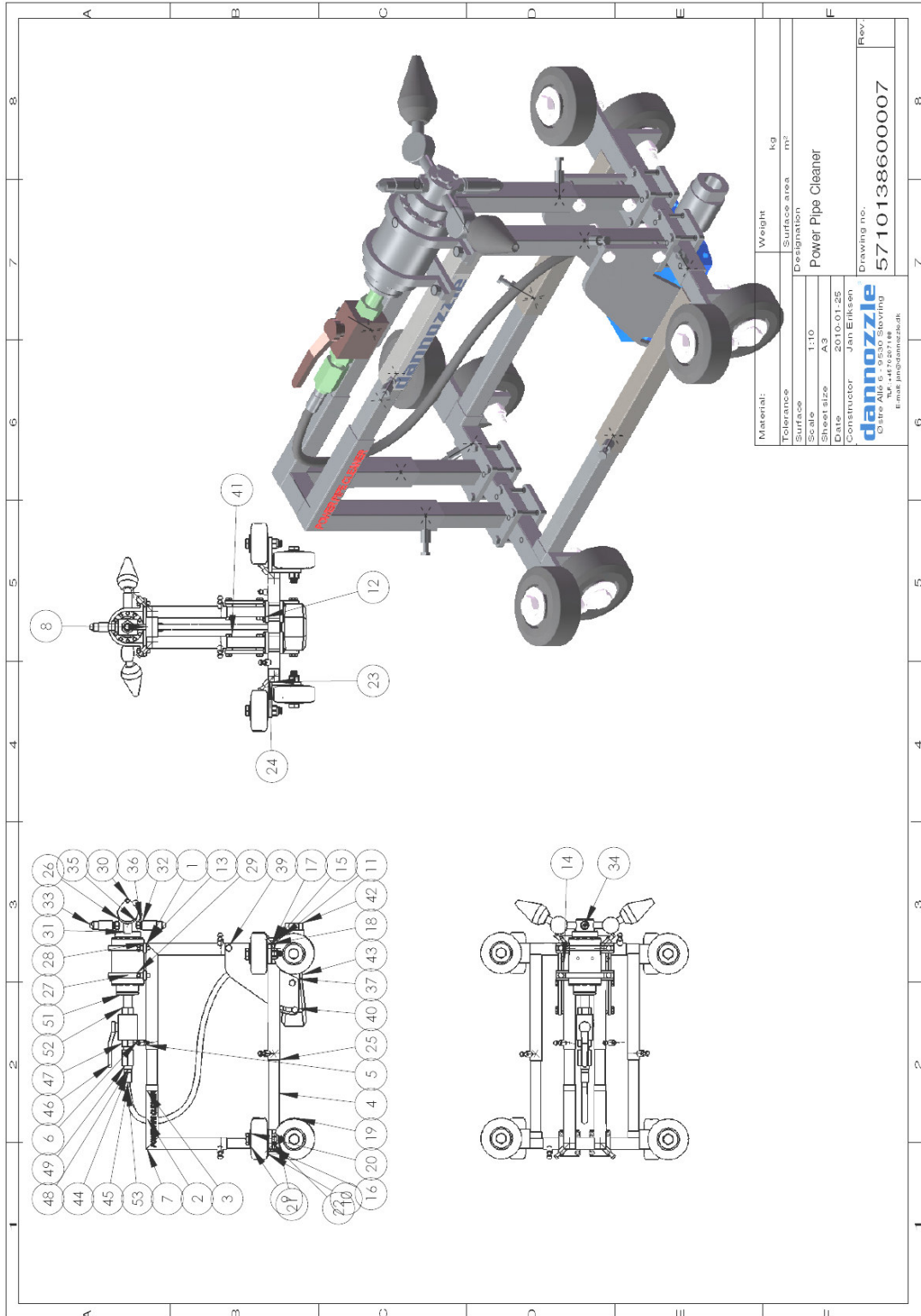


[www.dannozzle.dk](http://www.dannozzle.dk)

Østre Allé 6 • 9530 Støvring • tlf. +45 7020 7188 • fax +45 7020 7189 • sales@dannozzle.dk

# dannozzle®

## POWER PIPE CLEANER



Material:	Weight	kg
Tolerance	Surface area	m <sup>2</sup>
Surface	Designation	Power Pipe Cleaner
Scale	1:10	
Sheet size	A3	
Date	2010-01-25	
Constructor	Jan Eriksson	
<b>dannozzle</b> <small>the art of cleaning</small> <small>5000 Julevej, 9530 Støvring, Denmark</small>		Rev.
		5710138600007

5710138880775  
10100210

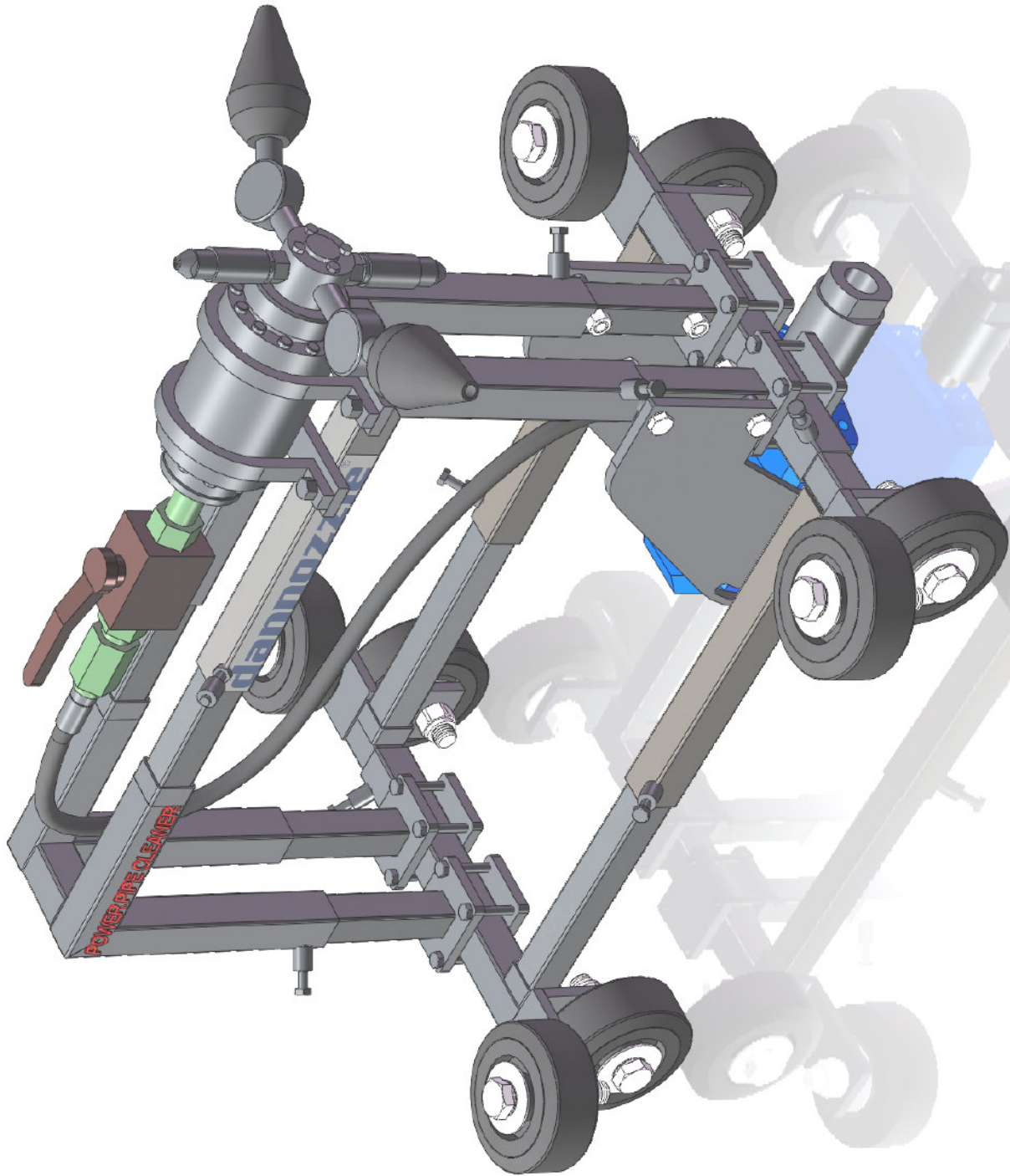
[www.dannozzle.dk](http://www.dannozzle.dk)

Østre Allé 6 • 9530 Støvring • tlf. +45 7020 7188 • fax +45 7020 7189 • sales@dannozzle.dk

# dannozzle®

## POWER PIPE CLEANER

571013880775  
10100210



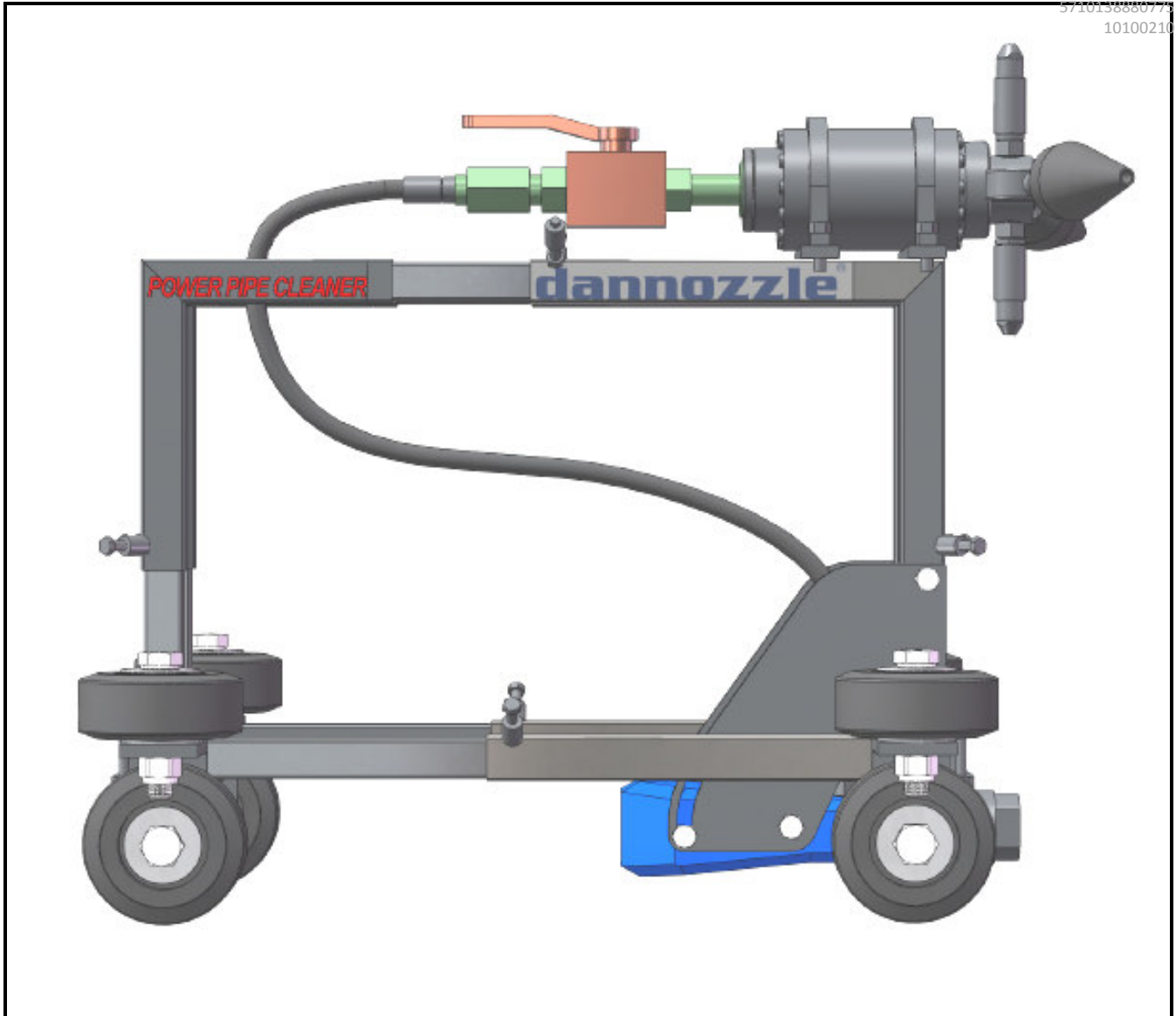
[www.dannozzle.dk](http://www.dannozzle.dk)

Østre Allé 6 • 9530 Støvring • tlf. +45 7020 7188 • fax +45 7020 7189 • sales@dannozzle.dk

# dannozzle®

## POWER PIPE CLEANER

5710158880773  
10100210



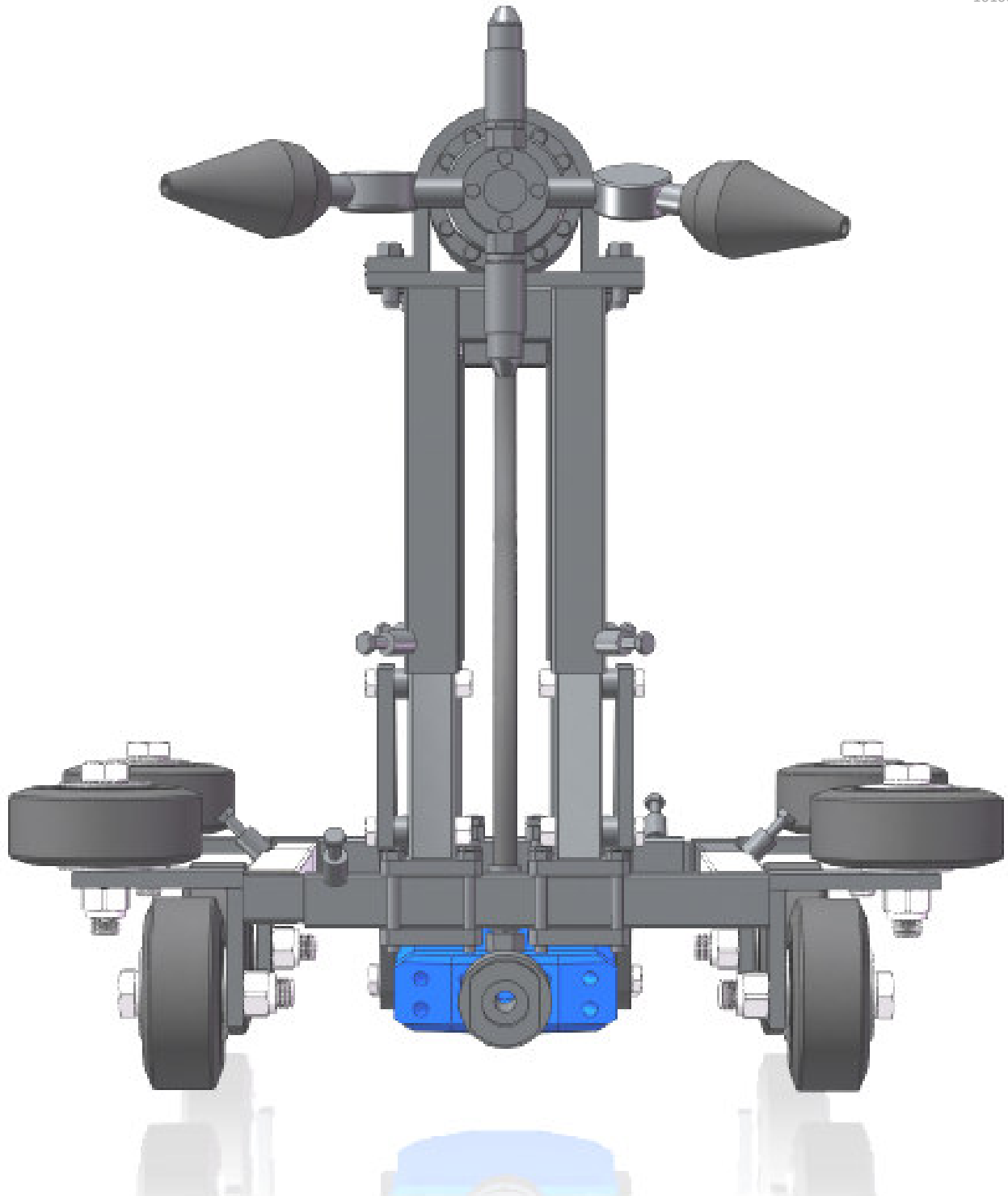
[www.dannozzle.dk](http://www.dannozzle.dk)

Østre Allé 6 • 9530 Støvring • tlf. +45 7020 7188 • fax +45 7020 7189 • sales@dannozzle.dk

# dannozzle®

POWER PIPE CLEANER

S710138880773  
10100210

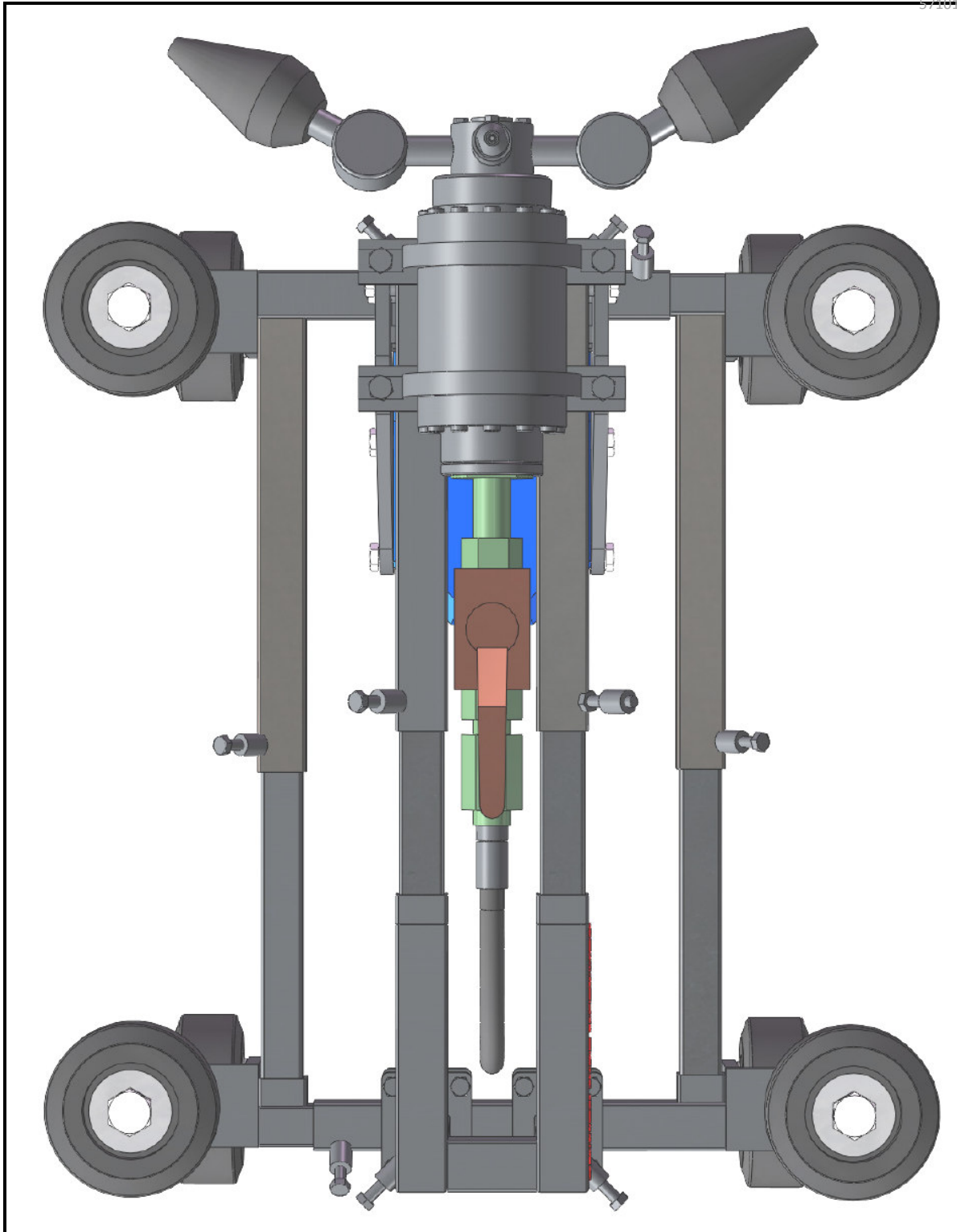


[www.dannozzle.dk](http://www.dannozzle.dk)

Østre Allé 6 • 9530 Støvring • tlf. +45 7020 7188 • fax +45 7020 7189 • sales@dannozzle.dk

# dannozzle®

## POWER PIPE CLEANER



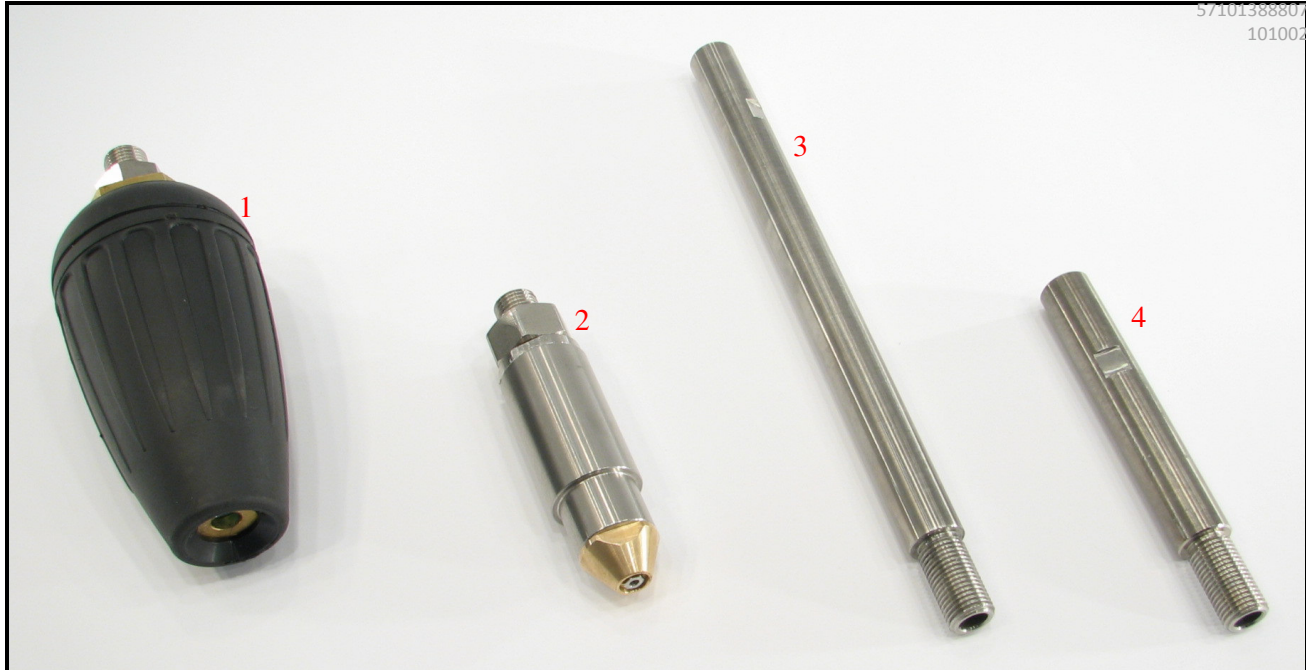
571018880775  
0100210

[www.dannozzle.dk](http://www.dannozzle.dk)

Østre Allé 6 • 9530 Støvring • tlf. +45 7020 7188 • fax +45 7020 7189 • sales@dannozzle.dk

# dannozzle®

## POWER PIPE CLEANER



EAN Nr.	Units	Extra equipment
(1) 5710138130825	2	0.9" 'Turbojetdyser'
(2) 5710138130832	4	'Dysedorn' Ø1.4mm
(2) 5710138130849	2	'Dysedorn' Ø 2.8mm
(3) 5710138840236	4	1/4" stainless steel nozzle pipes 210mm
(4) 5710138840229	4	1/4" stainless steel nozzle pipes 100mm



Extra equipment is delivered in a case.

[www.dannozzle.dk](http://www.dannozzle.dk)

Østre Allé 6 • 9530 Støvring • tlf. +45 7020 7188 • fax +45 7020 7189 • sales@dannozzle.dk