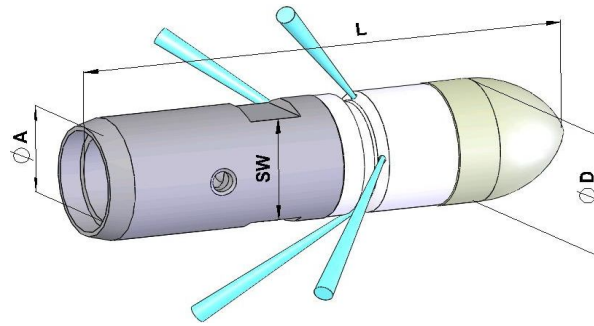


SIBB-Rotor



D mm	L mm	SW mm	A		Artikel-Nr. / part-no.			max. A. I. max.W.P. bar / PSI	
									
6	42	4	M5F		5710138272433	5710138272440	5710138272457	400 / 5.700	
8	44	6	M6F		5710138272464	5710138272471	5710138272488		
10	46	8	M7x1F	●	5710138272495	5710138272501	5710138272518	1000/15.000	
			1/16"NPTF	●	5710138272525	5710138272532	5710138272549		
			1/16"UNFMPLHF	○				1500/21.500	
			1/16"UNFMPRHF	○					
	48		5/16"UNFM	○	5710138272556	5710138272563	5710138272570	1000/15.000	
11	48	8	M8x1F	○	5710138272587	5710138272594	5710138272600		
12	48	10	1/8"NPTF	●	5710138272617	5710138272624	5710138272631	1250/18.000	
			1/8"BSPF	●	5710138272648	5710138272655	5710138272662		
	51		3/8"UNFMPLHF	○	5710138272679	5710138272686	5710138272693	1500/21.500	
			3/8"UNFMPRHF	○	5710138272709	5710138272716	5710138272723		
13	48	ingen / none	1/8"NPTF	●	5710138272730	5710138272747	5710138272754	1250/18.000	
			1/8"BSPF	●	5710138272761	5710138272778	5710138272785		
	51		3/8"UNFMPLHF	○	5710138272792	5710138272808	5710138272815	1500/21.500	
			3/8"UNFMPRHF	○	5710138272822	5710138272839	5710138272846		
15	53	13	M10x1F	○	5710138272853	5710138272860	5710138272877	1000/15.000	
16	53		1/8"BSPF	●	5710138272884	5710138272891	5710138272907		
18	57	16	1/4"NPTF	●	5710138272914	5710138272921	5710138272938	1000/15.000	
			1/4"BSPF	●	5710138272945	5710138272952	5710138272969		
				9/16"UNFMPLHF	○	5710138272976	5710138272983	5710138272990	1500/21.500
				9/16"UNFMPRHF	○	5710138273003	5710138273010	5710138273027	
20	60	17	M14x1F	○	5710138273034	5710138273041	5710138273058		
22	66	19	1/4"BSPF	●	5710138273065	5710138273072	5710138273089	1000/15.000	
			3/8"NPTF	●	5710138273096	5710138273102	5710138273119		
			3/8"BSPF	●	5710138273126	5710138273133	5710138273140		
28	74	25	1/4"BSPF	●	5710138273157	5710138273164	5710138273171	1250/18.000	
	78		1/2"NPTF	●	5710138273188	5710138273195	5710138273201		
	82	26	1/2"BSPM	●	5710138273218	5710138273225	5710138273232		
			3/8"BSPM	●	5710138273249	5710138273256	5710138273263		
	86	25	M22x1.5M	●	5710138273270	5710138273287	5710138273294		
			M24x1.5M	●	5710138273300	5710138273317	5710138273324		
74		M10x1F	○	5710138273331	5710138273348	5710138273355			
40	94	ingen / none	M24x1.5F	●	5710138273362	5710138273379	5710138273386	1250/18.000	
			1/4"BSPF	●	5710138273393	5710138273409	5710138273416		
	110	27	1/4"BSPM	●	5710138273423	5710138273430	5710138273447		
			3/8"BSPM	●	5710138273454	5710138273461	5710138273478		
			1/2"BSPM	●	5710138273485	5710138273492	5710138273508		
	86	ingen / none	M10x1F	○	5710138273515	5710138273522	5710138273539		
118	27	M22x1.5M	●	5710138273546	5710138273553	5710138273560			
		M24x1.5M	●	5710138273577	5710138273584	5710138273591			
50	96		M24x1.5M	●	5710138273607	5710138273614	5710138273621	1000/15.000	

Andre gevind efter forespørgsel / Other connections available on request.
M = Han-gevind / Male thread - F = Hun-gevind / Female thread

●	Standard
○	Special